

SECHOIR DE TRÉMIE G

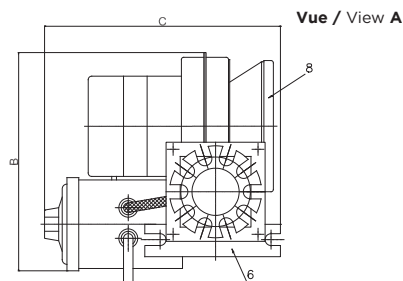
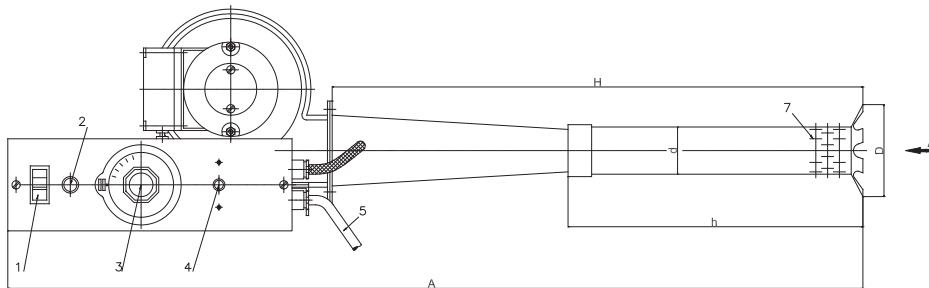
G HOPPER GRANULATE DRYER

Variantes d'armoires

Device alternatives

	G 40	G 60	G 70	G 90	G120	G 140
Puissance de chauffe heat capacity	0.5 kW	0.75 kW	1 kW	3 kW	4.5 kW	7.5 kW
dimensions d	40 mm	60 mm	70 mm	90 mm	120 mm	140 mm
dimensions D	78 mm	120 mm	135 mm	190 mm	220 mm	310 mm
dimensions h	250 mm	320 mm	480 mm	745 mm	895 mm	1550 mm
dimensions H	450 mm	530 mm	700 mm	1045 mm	1210 mm	2080 mm
dimensions A	725 mm	830 mm	1050 mm	1500 mm	1660 mm	2630 mm
dimensions B	185 mm	280 mm	280 mm	410 mm	500 mm	645 mm
dimensions C	200 mm	250 mm	250 mm	290 mm	330 mm	350 mm
dimensions e	-	-	-	100 mm	110 mm	120 mm
dimensions f	-	-	-	240 mm	310 mm	310 mm
Poids weight	6 kg	12 kg	12 kg	20 kg	37 kg	42 kg

G40



susceptibles de modifications techniques

subject to technical change



IHNE & TESCH
ELEKTRO-WÄRMETECHNIK

KELLER IHNE + TESCH
ELEKTRO-WÄRMETECHNIK

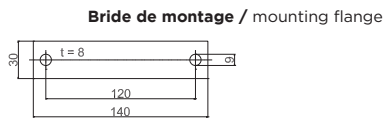
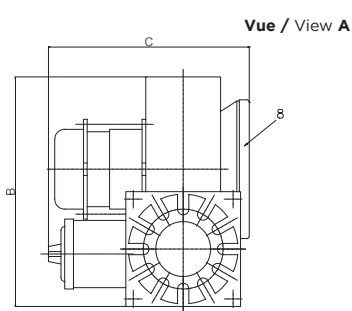
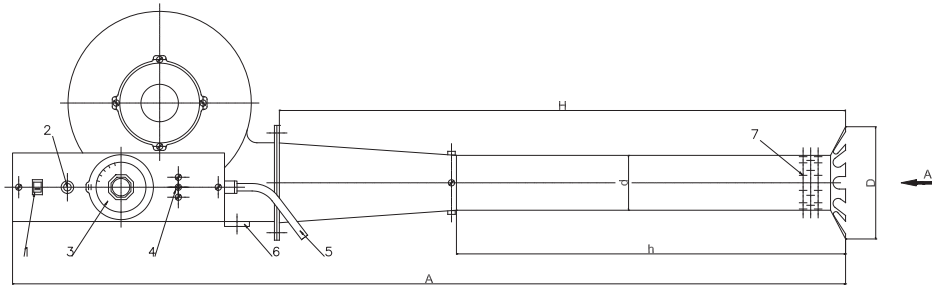
CELTIC

KIT ELECTROHEAT

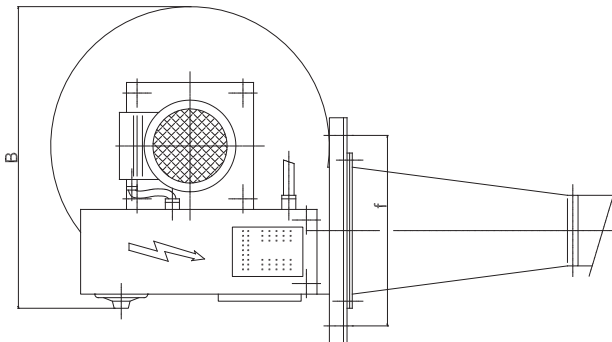
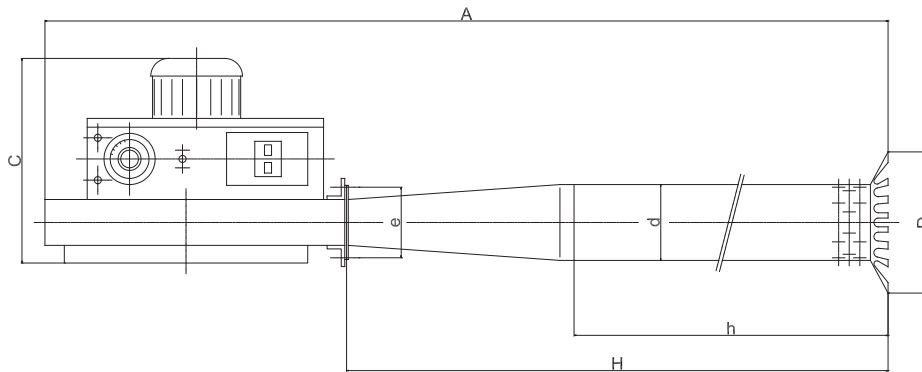
www.celtic.fr

SECHOIR DE TRÉMIE G
G HOPPER GRANULATE DRYER

G60 & G70



G90, G120 & G140



susceptibles de modifications techniques

subject to technical change



IHNE & TESCH
 ELEKTRO-WÄRMETECHNIK

KELLER IHNE + TESCH
 ELEKTRO-WÄRMETECHNIK

CELTIC

KIT ELECTROHEAT

www.celtic.fr